

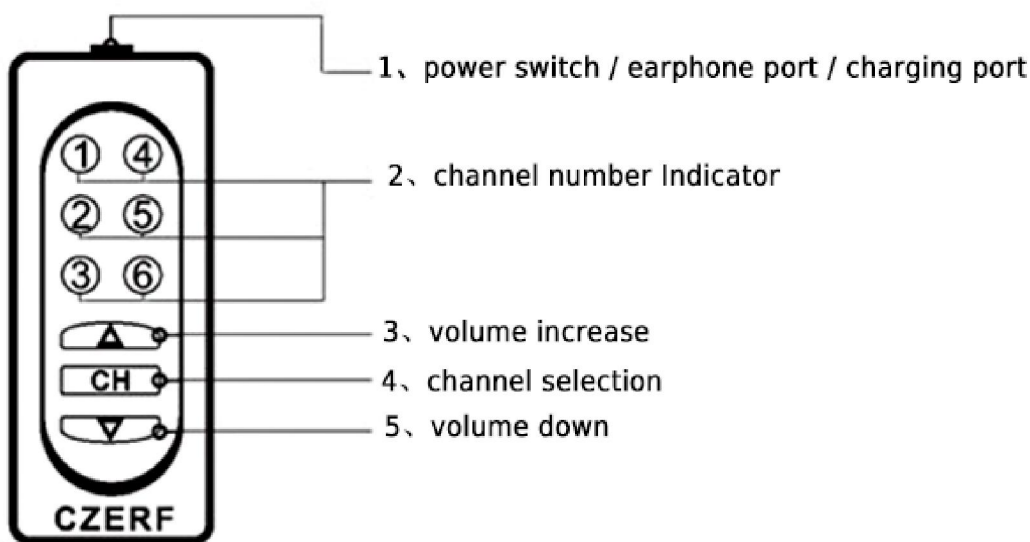
# CZE R03 FM Radio Receiver UserManual



Model NO. : CZE R03

Dear users, thanks for choosing CZERF products. To use all features of this product better, please read this manual carefully before using the product, included product features with operating instruction and use precautions.

## CZERF R03 Diagram



## Basic Usage

### 1. Turn on/Turn off Receiver

Headphone plugged in, receiver automatically open; headphone unplugged, receiver automatically turns off.

### 2. Charging

- 1) One end of charging cable 3.5mm connector into headphone connector, and the other end connect to power adapter's USB port, then receiver's 6 channel number flashing blue light, normal charging; stop flashing, indicating full.
- 2) When it is at low battery, the selected channel number indicator flashing to alert low battery, charge it in time.

### 3. Select the receive channel

In total 16 receive channels, 'CH' button to switch channels, channel number indicator flashing, means channel selected.

### 4. Volume Adjustment

▲、▼ These two buttons for volume control buttons, up key ▲ volume increases, down key ▼ volume decreases.

### 5. Frequency Setting

- 1) Press CH button, select the setting channel
- 2) Long press CH button, corresponding channel light will enter slow flashing state after 5 seconds, indicated entering frequency search mode, waiting for search.
- 3) Press up key ▲, channel entering quick flash state, frequency search starts, then frequency into incremental search, if a channel searched, corresponding channel light will enter slow flash state, press CH button to save frequency and exit search mode. If not save this frequency, press up or down key to continue the search.
- 4) Press down key ▼, channel light entering quick flash state, frequency search starts, then frequency will be decremented search, if a channel searched, corresponding channel light will enter slow flash state, press CH key to save frequency and exit search mode. If not save this frequency, press up or down key to continue the search.

### 6. Restore Factory Defaults

Firstly press down key ▼, then plug in headphone, wait for 3 seconds, release the button, unplug the headphone, then re-insert the headphone, frequency back to the factory defaults.

### 7. Power Saving Mode

- 1) Stop pressing button after 5 seconds, entering power saving mode, then the corresponding channel light off.
- 2) Press any key, the corresponding channel indicator lights up again, receiver exit power saving mode.

**Attention:**

1. The channel number indicator is not a button, please do not press by hand directly!

2. When stop using this machine, please unplug the headphone.

**Technical Parameter of Receiver**

1. Frequency range: 76.0- 108.0MHz
2. Sensitivity: 1.2uV
3. Headphone Output Impedance : 32 Ohm
4. Stereo Separation: 35db
5. Battery Capacity/Endurance : 150mAh, 7 hours Endurance.

**Package List**

1. CZE-R03 Receiver \*1
2. Dedicated Charging Cable \* 1
3. User Manual \*1

**Safety Tips**

1. To reduce risk of fire or electric shock may occur without rendering the device to the rain, moisture or liquid dripping, must not put objects filled with liquid on the device.
2. Do not open the case by yourself to prevent internal short guide to fire! Maintenance work required by qualified staff.
3. Once abnormal charging adapter, disconnect it immediately, then unplug the socket.
3. Accessories not replaceable, if damaged or needs to be replaced, please contact the professionals.

**Precautions**

1. Do not use headphone when driving or cycling, the headphone will reduce the surrounding sound, easily lead to accident.
2. Avoid prolonged listening to music, listen to expert suggestion, no more than one hour continuous listening, pay attention to rest.
3. Do not put receiver in the place by the sun, to heat or humid.

**ContactUs**

Web: [www.fmuser.net](http://www.fmuser.net)

Mob: +86 18613072427

Phone: +86 020-87597795 EXT :804

Skype: rita.ca87

Email: [rita@fmuser.net](mailto:rita@fmuser.net)

Address Room 1502 Hu Lan Ge No 273 HuangPu Rd West,  
TianHe Dis. GuangZhou China 510620

FMUSER INTERNATIONAL GROUP INC.